

1 PIECE STAINLESS STEEL BALL VALVE

PRODUCT EVOLUTION



Be careful, our valves Ref.708 are changing

**We currently have 2 different types available (according to DN)
with different dimensions**

Example of old marking :



Example of new marking :

(CE0038 or CE0343)



At the end, only the new type will be available (from page 2 to 6)

1 PIECE STAINLESS STEEL BALL VALVE

1 piece stainless steel ball valve with reduced bore for Chemical industries, petrochemical industries, hydraulic installation, heating, water distribution, compressed air.
PTFE gasket and seat.

Certificate
3.1

CE **LRQA**
PED/2014/68/UE

NEW



Size : DN1/4" to DN2"
Connection : Female BSP
Min Temperature : -20°C
Max Temperature : +180°C
Max Pressure : 63 Bars
Anti blow-out stem
Reduced bore
Locking device
1 piece type

Materials : Stainless Steel EN 1.4408

1 PIECE STAINLESS STEEL BALL VALVE

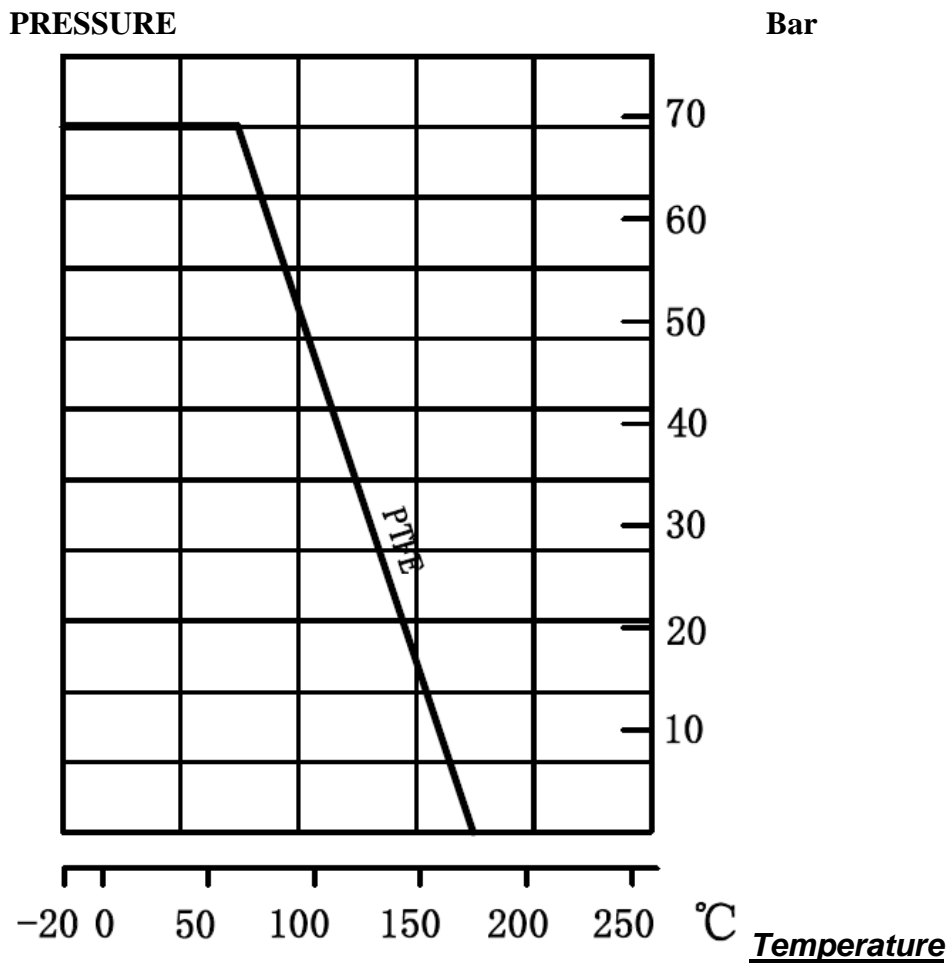
SPECIFICATIONS :

- Reduced bore
- Anti blow-out stem
- Locking device
- Solid ball
- 1 piece type

USE :

- Chemical and pharmaceutical industries, petrochemical industries, hydraulic installation, compressed air
- Min and max Temperature Ts : -20°C to + 180°C
- Max Pressure Ps : 63 bars (see graph)

PRESSURE / TEMPERATURE GRAPH (STEAM EXCLUDED) :



1 PIECE STAINLESS STEEL BALL VALVE

FLOW COEFFICIENTT Kvs (M3 / h) :

DN	1/4"	3/8"	1/2"	3/4"	1"	1"1/4	1"1/2	2"
Kvs (m3/h)	7	8	9	19	45	80	125	165

TORQUE VALUES (in Nm without safety coefficient) :

DN	1/4"	3/8"	1/2"	3/4"	1"	1"1/4	1"1/2	2"
Torque (Nm)	2	2	2.5	3.5	6	7	12	16

RANGE :



- 1 piece stainless steel ball valve female BSP with red flat handle from DN 1/4" to DN 2" **Ref.708**



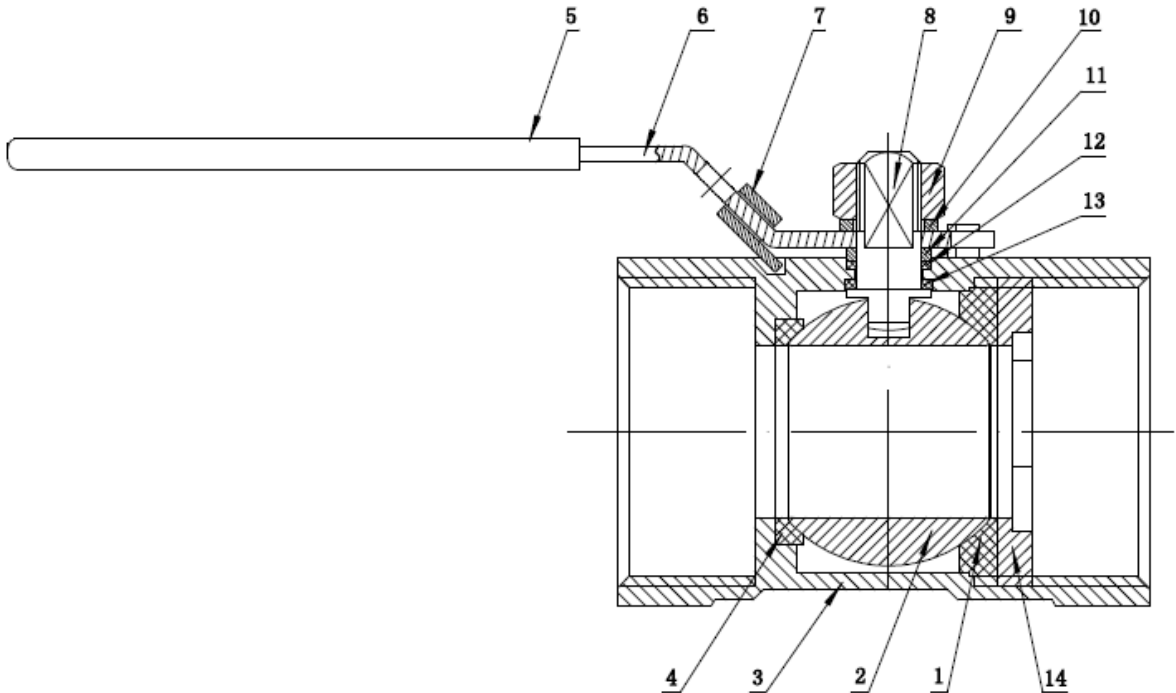
- Blue handle cover from DN 1/4" to DN 2" **Ref.9830630 to 9830634**

CONNECTION :

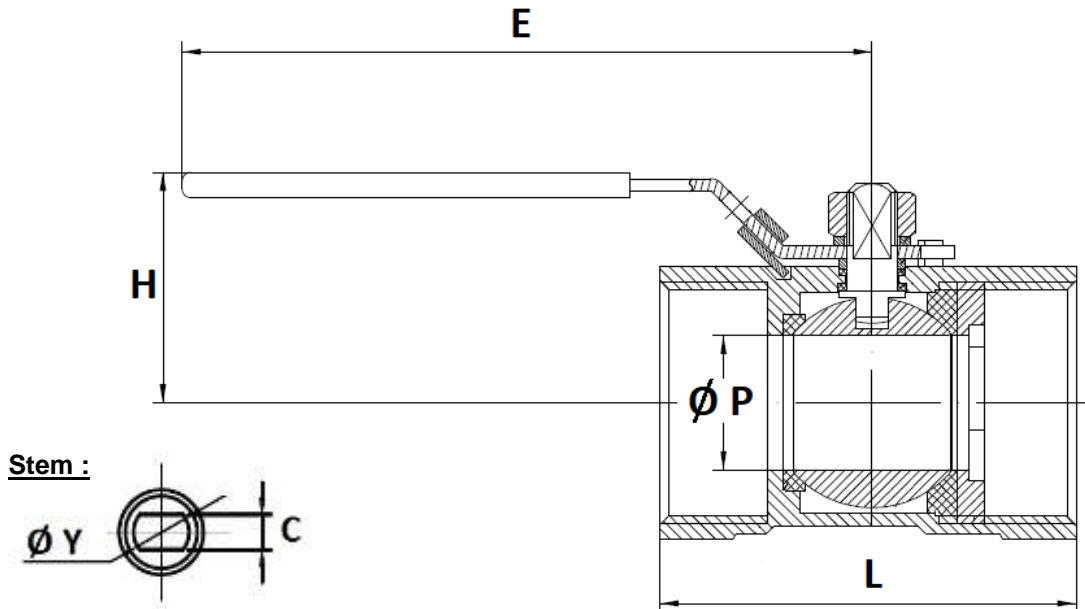
- Female / female threaded BSP

1 PIECE STAINLESS STEEL BALL VALVE

MATERIALS :



Item	Designation	Materials
1	Gasket	PTFE
2	Ball	AISI 316
3	Body	EN 1.4408
4	Seat	PTFE
5	Handle cover	Plastic
6	Handle	AISI 316
7	Locking device	
8	Stem	
9	Stem nut	
10	Spring washer	
11	Stem washer	PTFE
12	Stem gasket	
13	Thrust washer	
14	Ends	EN 1.4408

1 PIECE STAINLESS STEEL BALL VALVE
SIZE (in mm) :


DN	1/4"	3/8"	1/2"	3/4"	1"	1"1/4"	1"1/2"	2"	
Ø P	5	7	9.2	12.5	15	20	25	32	
L	39	44	56.5	59	71	78	83	99	
E	65	88	110				155		
H	28.5	31	38	40	47	52	58.5	64.5	
C	3	4	5		6		8		
Ø Y	M5	M6	M8		M10		M12		
Weight (in Kg)	0.06	0.1	0.19	0.26	0.37	0.51	0.73	1.17	
Ref.	708002	708003	708004	708005	708006	708007	708008	708009	

STANDARDS :

- Manufacturer certified ISO 9001 : 2015
- DIRECTIVE 2014/68/EU : For liquids and gas of Group 1
 - DN1/4"-1" : Article 4, §3 (SEP), no CE marking
 - DN1"1/4-2" : Risk Category II, CE0038 or CE0343 marking
- Certificate 3.1 on request
- Pressure tests according to EN 12266-1, Rate A
- Threaded cylindrical BSP ends according to ISO 228-1

ADVICE : Our opinion and our advice are not guaranteed and SFERACO shall not be liable for the consequences of damages. The customer must check the right choice of the products with the real service conditions.

1 PIECE STAINLESS STEEL BALL VALVE

1 piece stainless steel ball valve with reduced bore for Chemical industries, petrochemical industries, hydraulic installation, heating, water distribution, compressed air.
PTFE gasket and seat.

Certificate
3.1



Size: DN1/4" to DN2"
Connection : Female BSP
Min Temperature : -20°C
Max Temperature : +180°C
Max Pressure : 40 Bars
Anti blow-out stem
Reduced bore
Locking device
1 piece type

Materials : Stainless Steel EN 1.4408

1 PIECE STAINLESS STEEL BALL VALVE

SPECIFICATIONS :

- Reduced bore
- Anti blow-out stem
- Locking device
- Solid ball
- 1 piece type

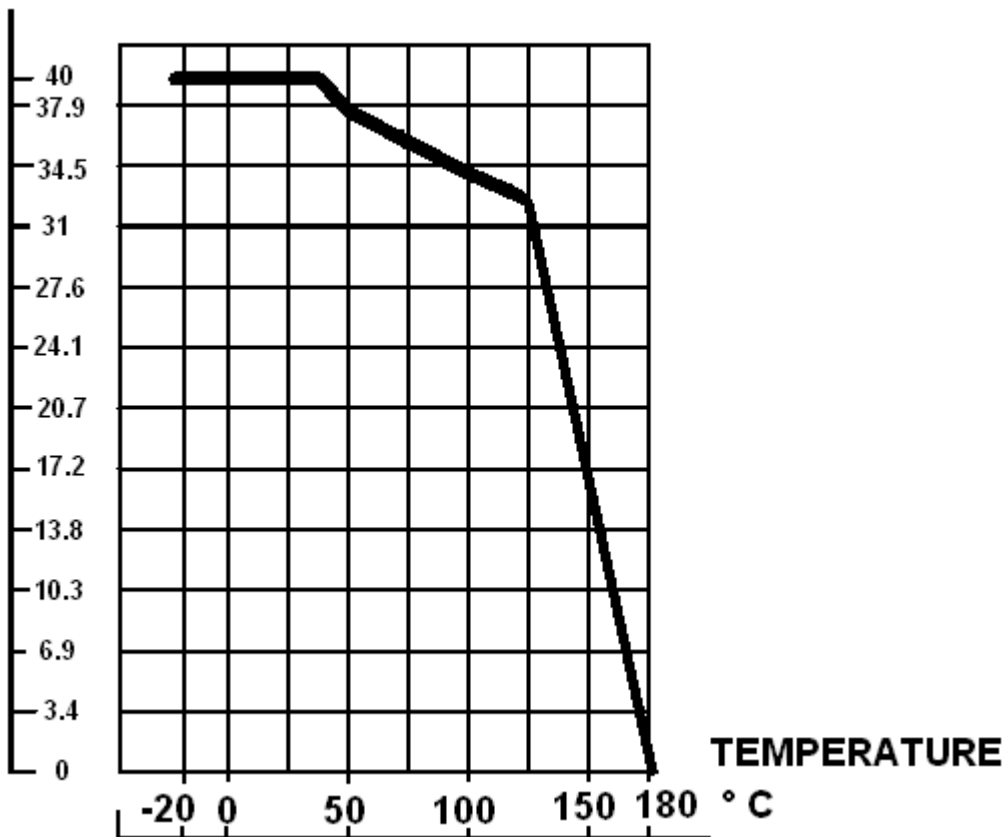
USE :

- Chemical and pharmaceutical industries, petrochemical industries, hydraulic installation, compressed air
- Min and max Temperature Ts : -20°C to + 180°C
- Max Pressure Ps : 40 bars (see graph)

PRESSURE / TEMPERATURE GRAPH (STEAM EXCLUDED) :

PRESSURE

BAR



1 PIECE STAINLESS STEEL BALL VALVE

FLOW COEFFICIENTT Kvs (M3 / h) :

DN	1/2"	3/4"	1"	1"1/4	1"1/2	2"
Kvs (m3/h)	9	19	45	80	125	165

TORQUE VALUES (in Nm without safety coefficient) :

DN	1/4"	3/8"	1/2"	3/4"	1"	1"1/4	1"1/2	2"
Torque (Nm)	2	2	3	4	5	6	8	10

RANGE :

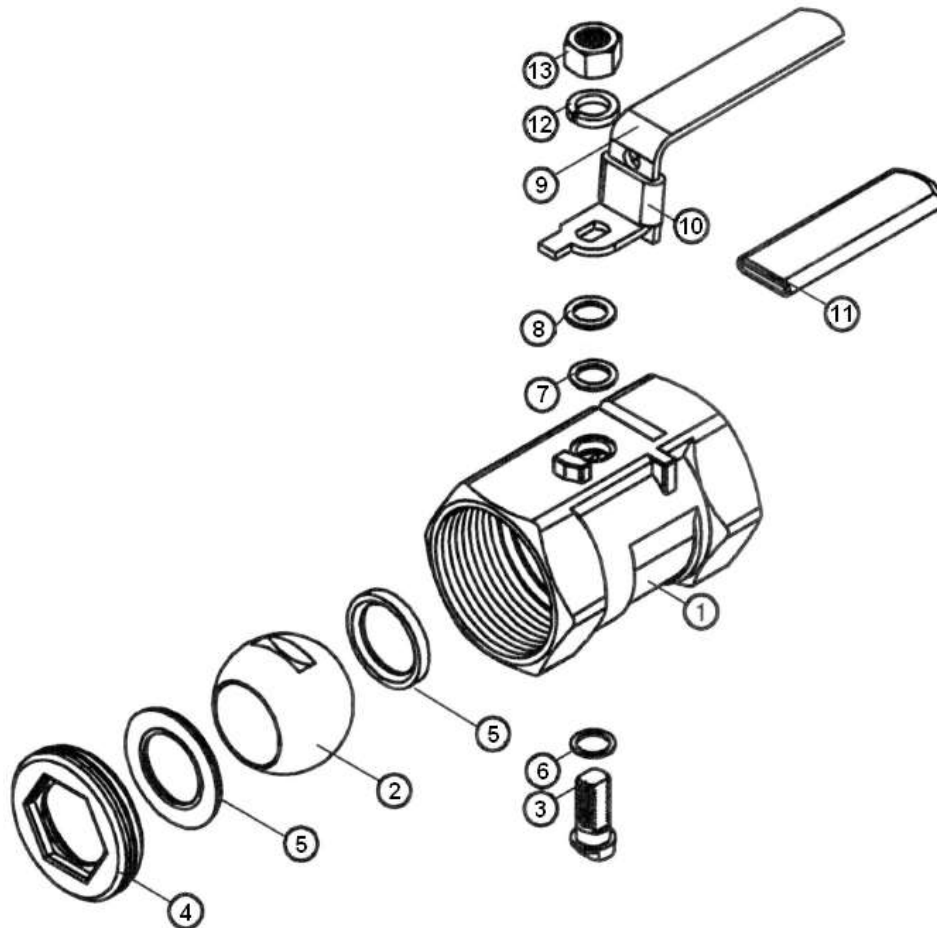
- 1 piece stainless steel ball valve DN 1/4" to DN 2"

ENDS :

- Female / female threaded BSP

1 PIECE STAINLESS STEEL BALL VALVE

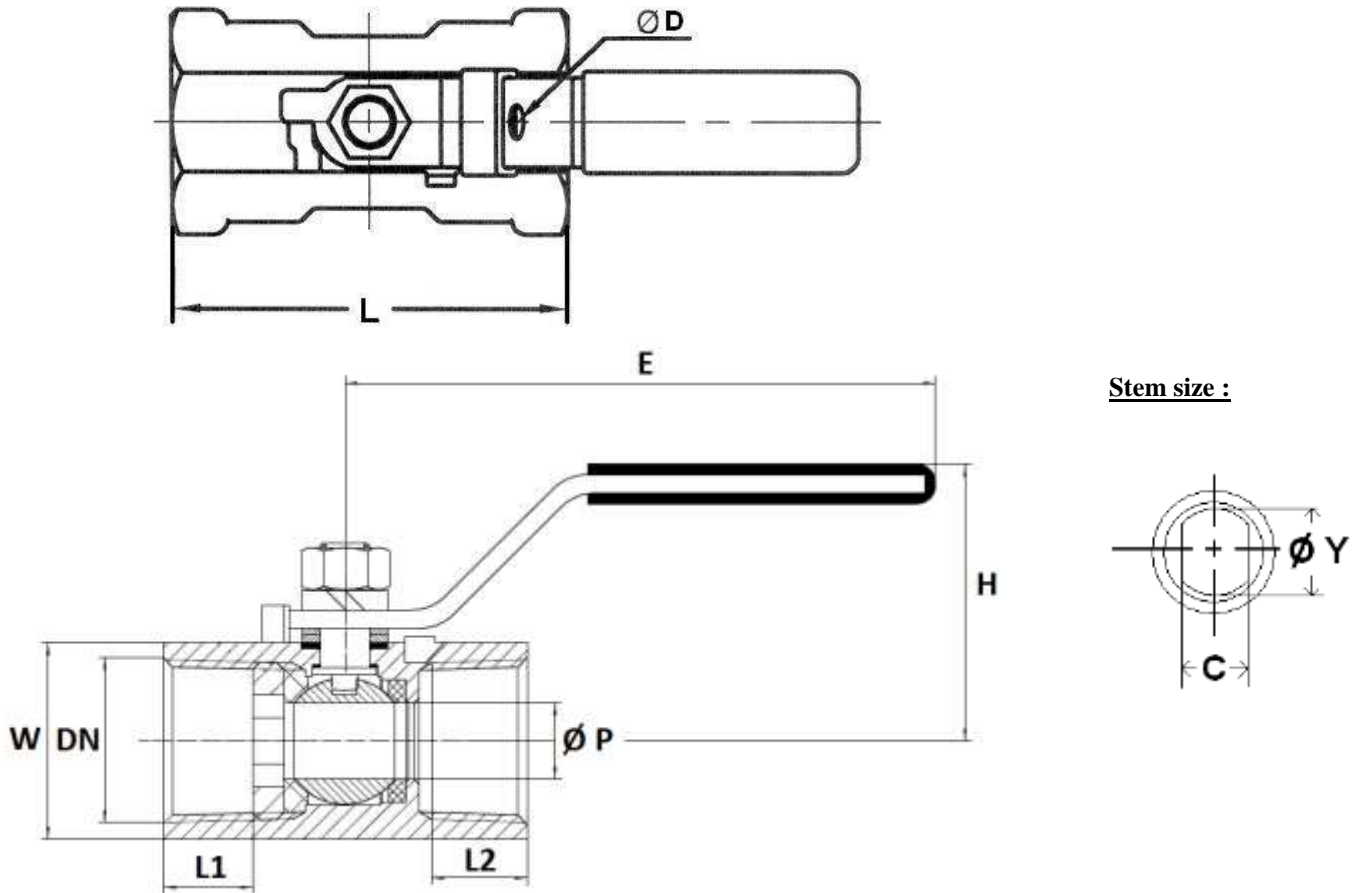
MATERIALS :



Item	Designation	Materials
1	Body	EN 1.4408
2	Ball	AISI 316
3	Stem	AISI 316
4	Insert	
5	Seat	PTFE
6	Stem packing	PTFE
7	Thrust washer	PTFE
8	Gland	AISI 304
9	Handle	
10	Locking device	
11	Handle cover	Plastic
12	Handle washer	AISI 304
13	Handle nut	

1 PIECE STAINLESS STEEL BALL VALVE

SIZE (in mm) :



Stem size :

DN	1/4"	3/8"	1/2"	3/4"	1"	1"1/4	1"1/2	2"
Ø P	5	6.8	9	12.5	16	20	25	32
L	39	44	56.5	58.5	71	78	83	100
Ø D	6	6	8	8	8	8	8	8
E	65	65	96	96	101	101	135	135
H	32	35	45	48	56	61	70	76
L1	9.5	10.5	16	15	17	19	20	23
L2	9.5	10.5	14	15	17	19	19	23
W sur plat	17	21	25	32	38	48	53	66
C	3	4	5	5	6	6	8	8
Ø Y	4,6	6	7	7	9	9	11.5	11.5
Weight (en Kg)	0.06	0.1	0.19	0.26	0.41	0.62	0.84	1.33
Ref.	708002	708003	708004	708005	708006	708007	708008	708009

1 PIECE STAINLESS STEEL BALL VALVE

STANDARDS :

- Manufacturer certified ISO 9001 : 2015
- DIRECTIVE 2014/68/EU : CE N° 0035
Risk Category III Module H
- Certificate 3.1 on request
- Pressure tests according to ISO 5208, Rate A
- Threaded cylindrical BSP ends according to ISO 228-1

ADVICE : Our opinion and our advice are not guaranteed and SFERACO shall not be liable for the consequences of damages.
The customer must check the right choice of the products with the real service conditions.