

CL1 BALL VALVE

PVC-U - PP

FEATURES

The CL1 ball-valves are 2-way full-bore valves intended for current valve applications. This economical valve, PN10, is used to isolate low-pressure water, acid or alkaline fluid networks (cf. Sectoriel's table of resistance of materials). The PTFE seat gaskets guarantee a long service life. The materials used are anti-UV coated. Fully removable model. Wall-mount with optional metal insert.



AVAILABLE VERSIONS

REFERENCE	BODY	GASKETS
5100SC ---*	PVC-U	EPDM
5101SC ---*	PVC-U	FPM
5110SC ---*	PP	EPDM
5111SC ---*	PP	FPM

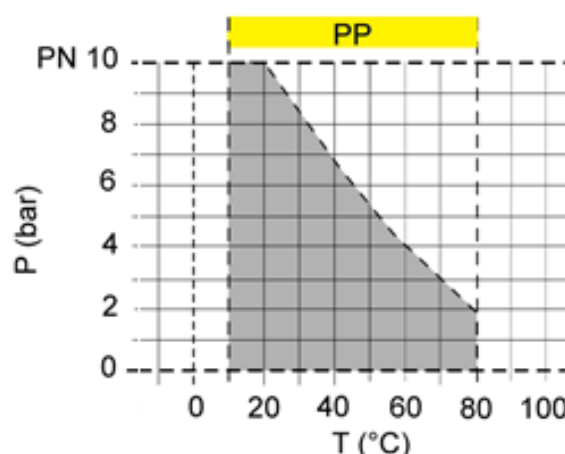
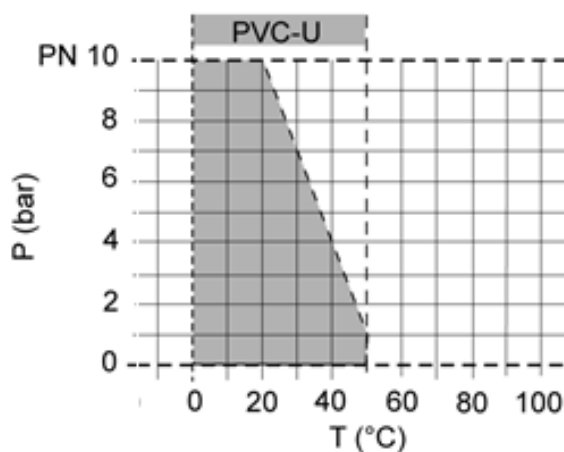
Diameter: DN15 to DN100

Union coupling with female end according to DIN/ISO
Optional BSP thread.



* - - - DN of the valve (e.g. CL1 PVC-U/FPM DN25 valve code 5101SC025)

LIMITS OF USE



The limits of each material are valid for the nominal pressures indicated, and for a service life of 25 years. These are indicative values for non-hazardous transported materials (DIN 2403), for which the valve material is resistant. Please contact us for use at temperatures below 0°C (+10°C for PP).

Information given as an indication only, and subject to possible modifications

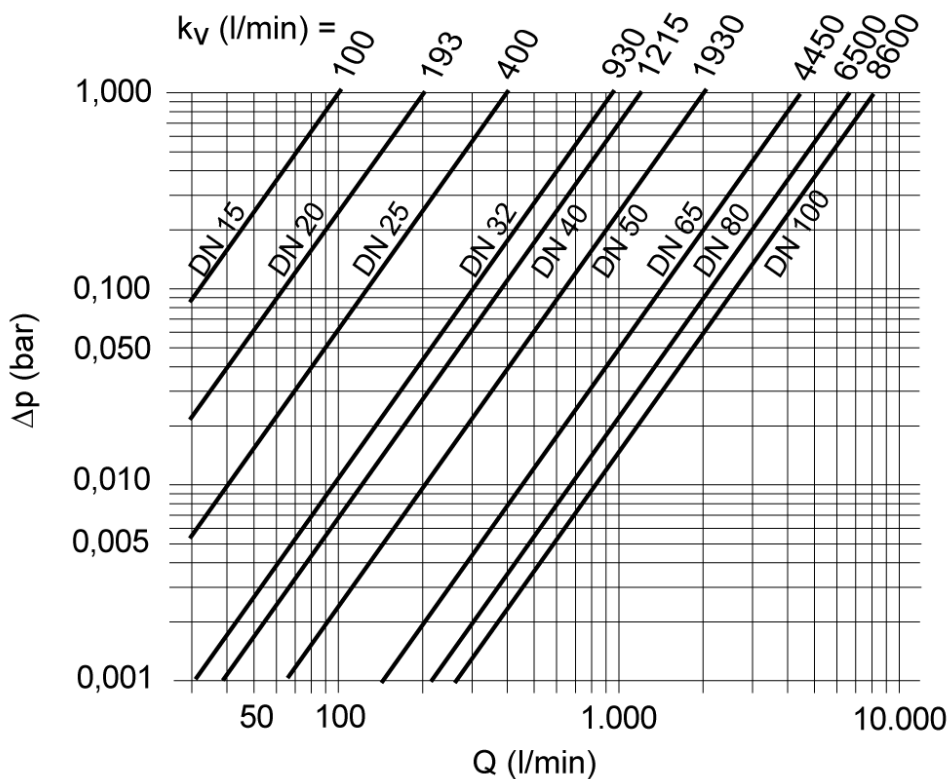
 robinetterie plastique	SECTORIEL S.A. 45 rue du Ruisseau 38290 SAINT QUENTIN-FALLAVIER – FRANCE Telephone: +33 4 74 94 90 70 - Fax: +33 4 74 94 13 95 www.sectoriel.com / Email : sectoriel@sectoriel.fr	Pages	1/4
		Ref.	TDS51S-CL1 ENG
		Rev.	05
		Date	01/2024

CL1 BALL VALVE

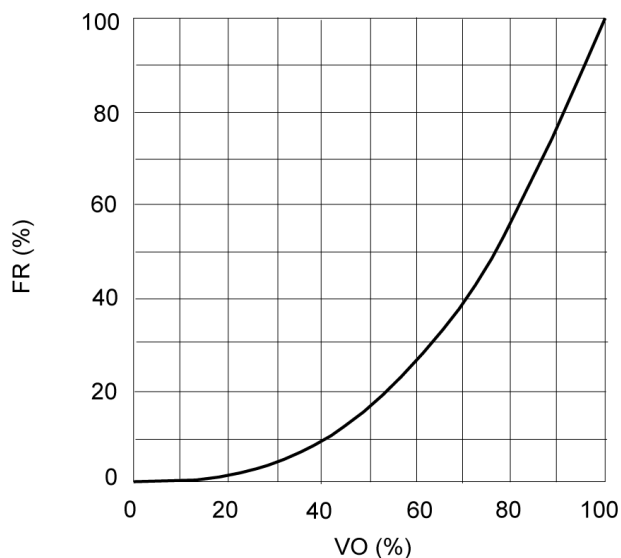
PVC-U - PP

HYDRAULIC FEATURES

Pressure drop curve (Indicative value for H₂O at 20°C)



ΔP = Pressure drop
 Q = Flow-rate



VO = valve opening
 FR = Kv value

Information given as an indication only, and subject to possible modifications

 <p>SECTORIEL robinetterie plastique</p>	SECTORIEL S.A. 45 rue du Ruisseau 38290 SAINT QUENTIN-FALLAVIER – FRANCE Telephone: +33 4 74 94 90 70 - Fax: +33 4 74 94 13 95 www.sectoriel.com / Email : sectoriel@sectoriel.fr	Pages	2/4
		Ref.	TDS51S-CL1 ENG
		Rev.	05
		Date	01/2024

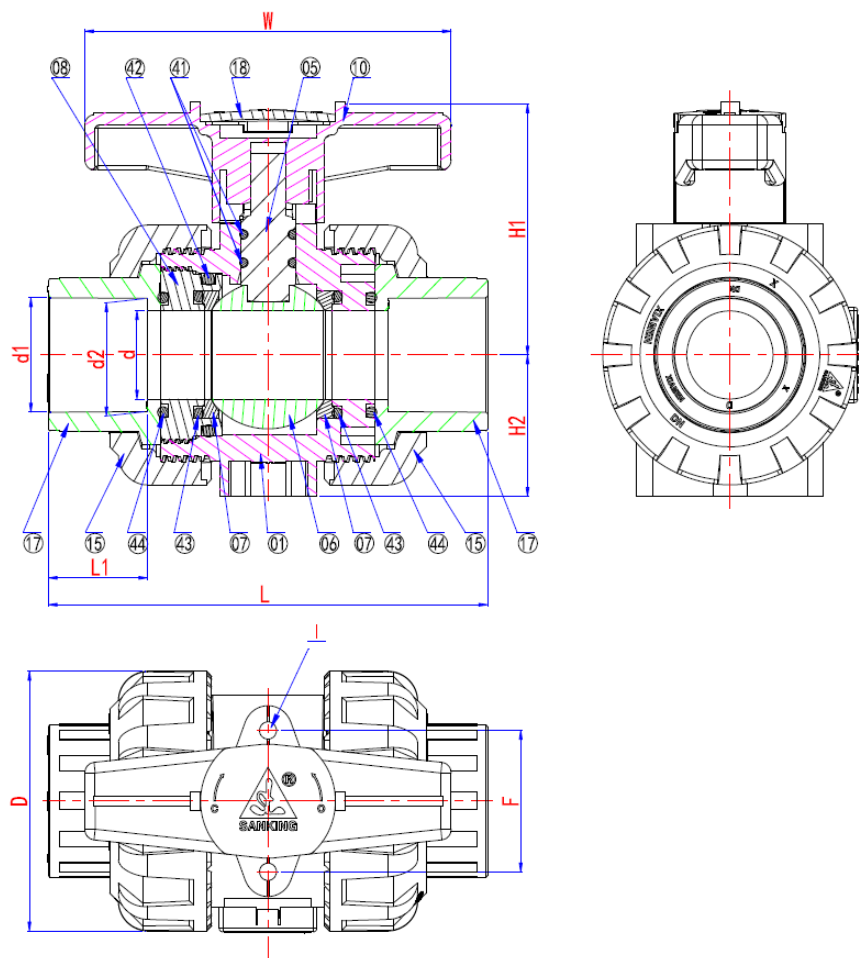
CL1 BALL VALVE

PVC-U - PP

DIMENSIONS (mm) DN 15 to DN50

PVC-U											
DN	d	d1	d2	D	L	L1	W	H1	H2	F	I
15	20	20.3	20.1	54	107	22.3	84	52.5	27.5	31	M5
20	25	25.3	25.1	63	115	25.5	90	59	32	33	M5
25	32	32.3	32.1	73.5	129	28.6	106	67.5	37.25	40	M5
32	40	40.3	40.1	84.5	144	32	116	77.5	42.75	52	M8
40	50	50.3	50.1	98	161	35	128	90	50	52	M8
50	63	63.3	63.1	118	173	38	140	106	60	70	M8

PP											
DN	d	d1	d2	D	L	L1	W	H1	H2	F	I
15	20	19.2	19	54	105	15	84	52.5	27.5	31	M5
20	25	24.2	23.9	63	111	16.5	90	59	32	33	M5
25	32	31.1	30.9	73.5	124	18.5	106	67.5	37.25	40	M5
32	40	39	38.8	84.5	138	21	116	77.5	42.75	52	M8
40	50	48.9	48.7	101	166	24	128	90	50	52	M8
50	63	61.9	61.6	123	185	28	140	106	60	70	M8



Information given as an indication only, and subject to possible modifications

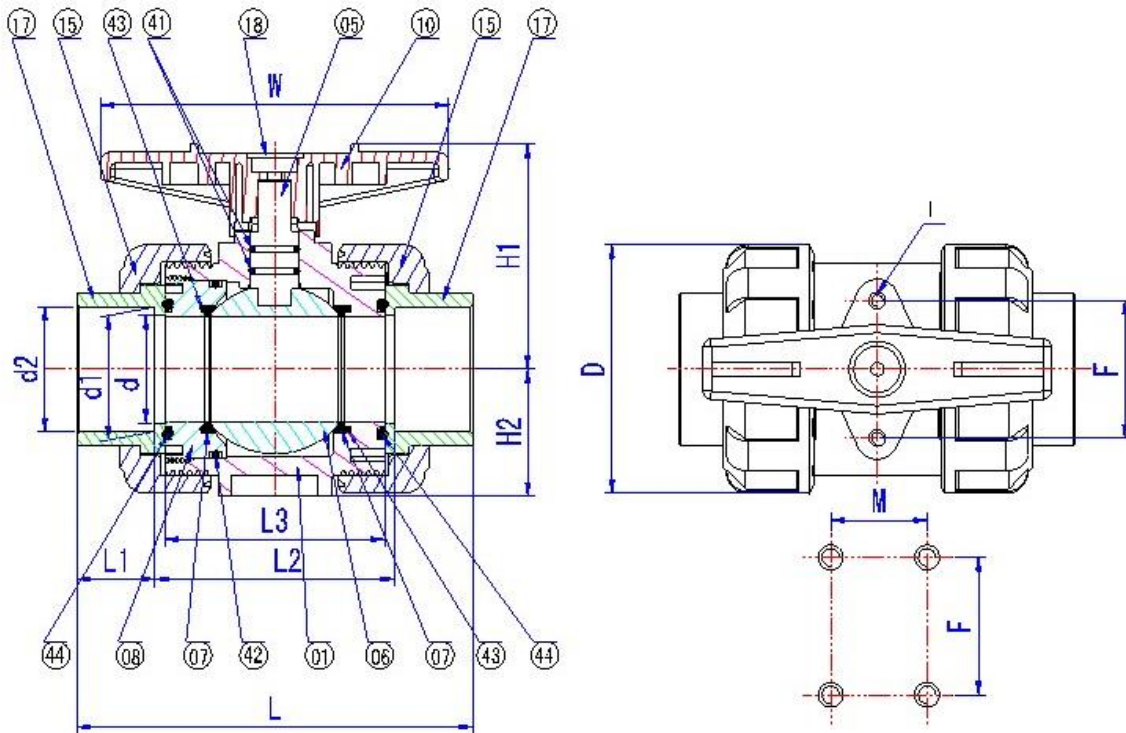
 <p>SECTORIEL robinetterie plastique</p>	SECTORIEL S.A. 45 rue du Ruisseau 38290 SAINT QUENTIN-FALLAVIER – FRANCE Telephone: +33 4 74 94 90 70 - Fax: +33 4 74 94 13 95 www.sectoriel.com / Email : sectoriel@sectoriel.fr	Pages	3/4
		Ref.	TDS51S-CL1 ENG
		Rev.	05
		Date	01/2024

CL1 BALL VALVE

PVC-U - PP

DIMENSIONS (mm) DN 65 to DN 100

DN	d	d1	d2	D	L	L1	L2	L3	W	H1	H2	F	M
65	75	75.30	75.10	150	238.5	47	144.5	132.5	210	136.5	76.5	84	45
80	90	90.40	90.10	169	268	51	166	150	235	149.5	86	84	45
100	110	110.40	110.10	211	318	61	196	172	260	175	107	121	49



CONSTRUCTION

N°	Item	CL1 PVC-U	CL1 PP	N°	Item	CL1 PVC-U	CL1 PP
01	Body	PVC-U	PP	17	Collar	PVC-U	PP
05	Stem	PVC-U	PP	18	Cap	ABS	ABS
06	Ball	PVC-U	PP	41	Stem gaskets	EPDM / FPM	EPDM / FPM
07	Ball gaskets	PTFE	PTFE	42	Ring gasket	EPDM / FPM	EPDM / FPM
08	Support ring	PVC-U	PP	43	Closing gaskets	EPDM / FPM	EPDM / FPM
10	Handle	ABS	ABS				
15	Union nut	PVC-U	PP	44	Union gaskets	EPDM / FPM	EPDM / FPM

Information given as an indication only, and subject to possible modifications

 <p>robinetterie plastique</p>	SECTORIEL S.A. 45 rue du Ruisseau 38290 SAINT QUENTIN-FALLAVIER – FRANCE Telephone: +33 4 74 94 90 70 - Fax: +33 4 74 94 13 95 www.sectoriel.com / Email : sectoriel@sectoriel.fr	Pages	4/4
		Ref.	TDS51S-CL1 ENG
		Rev.	05
		Date	01/2024