

MICRO BRASS BALL VALVE FEMALE FEMALE BSP

Micro brass ball valves female female reduced bore 5.5mm for water distribution.
1 FKM O-ring on anti blow-out stem.
Short length with plastic black handle.



Size : DN1/8" to DN1/4"
Connection : Female, Female BSP
Min Temperature : -10°C
Max Temperature : +90°C
Max Pressure : 16 Bars
Specifications : Anti blow-out stem
Short length
Bore Ø5.5 mm
1 FKM O-ring on stem

Materials : Brass CW617N according to EN12165

MICRO BRASS BALL VALVE FEMALE FEMALE BSP

SPECIFICATIONS :

- Bore Ø 5.5 mm
- Anti blow-out stem
- Solid ball
- 1 FKM O ring on stem
- Black plastic handle

USE :

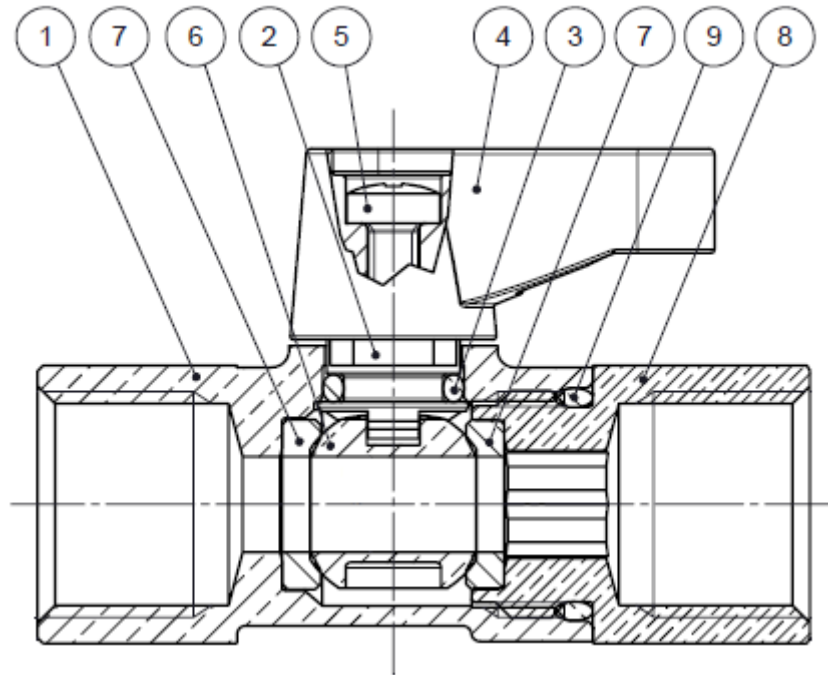
- Water distribution
- Min Temperature Ts : - 10°C
- Max Temperature Ts :+ 90°C
- Max Pressure Ps : 16 bars

RANGE :

- Micro brass ball valve Female / Female BSP **Ref. 691** from DN1/8" to 1/4"

MICRO BRASS BALL VALVE FEMALE FEMALE BSP

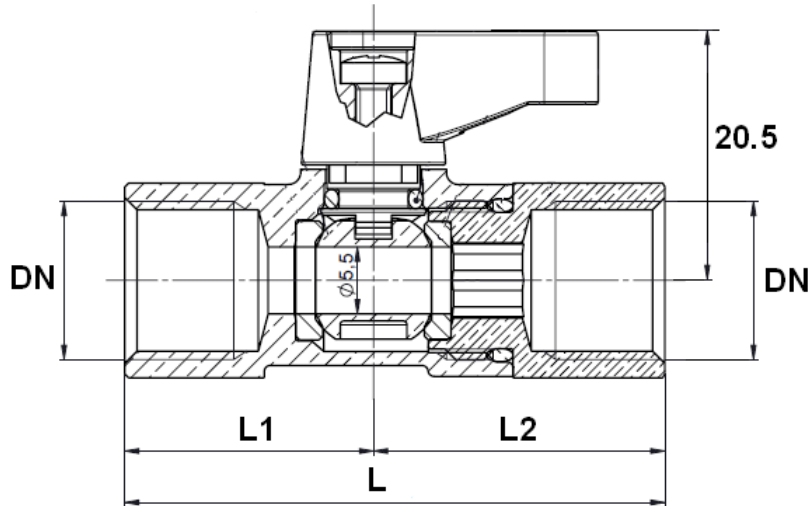
MATERIALS :



Item	Designation	Materials
1	Body	Chromed brass CW617N according to EN 12165
2	Stem	Brass CW614N according to EN12165
3	O-ring	FKM 70 sh.
4	Handle	Nylon 66 + 30% glass
5	Handle screw	Steel C4C EN 10263/03
6	Ball	Brass CW614N according to EN 12165
7	Seat	PTFE G400
8	Nipple	Brass CW614N according to EN 12165
9	Body gasket	FKM 70 sh.

MICRO BRASS BALL VALVE FEMALE FEMALE BSP

SIZE (in mm) :



DN	1/8"	1/4"
L	39.5	44.5
L1	18.5	20.5
L2	21	24
Weight (in Kg)	0.04	0.05
Ref.	691001	691002

STANDARDS :

- Manufacturer certified ISO 9001 : 2015
- DIRECTIVE 2014/68/EU : Products excluded from directive (Article 4, § 3)
- Threaded female BSP cylindrical ends according to ISO 228-1

ADVICE : Our opinion and our advice are not guaranteed and SFERACO shall not be liable for the consequences of damages. The customer must check the right choice of the products with the real service conditions.